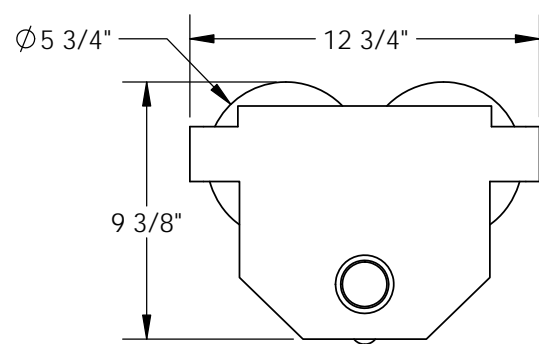
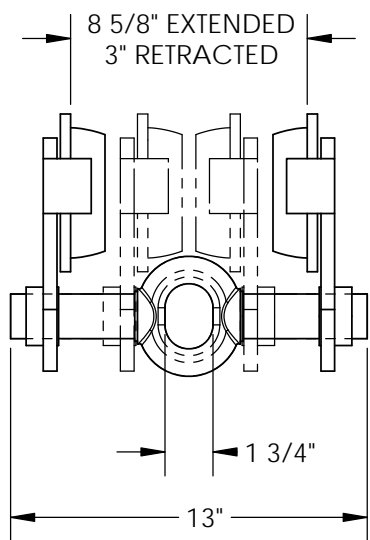
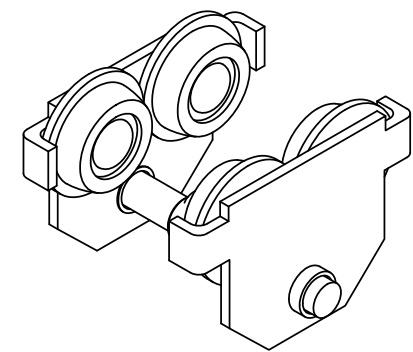
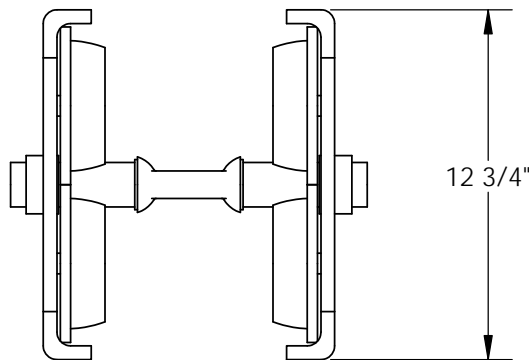


MODEL NAME - E-MT-6

APPROX WEIGHT: 64.99 lbs.
 DOES NOT INCLUDE WEIGHT OF POWER OR PACKAGING!!!

*** ANY ADDITIONS, DELETIONS, OR OMISSIONS MUST BE CORRECTED ON THIS DRAWING AS THIS DRAWING WILL BE CONSIDERED ALL INCLUSIVE ***

ALL GRAPHICS PROVIDED ARE FOR REFERENCE ONLY. IF CERTAIN DIMENSIONS ARE CRITICAL PLEASE VERIFY THOSE DIMENSIONS WITH YOUR SALESPERSON



DIMENSION TOLERANCE ± 1/4"

STANDARD FEATURES

- MODEL NUMBER IS E-MT-6
- OVERALL WIDTH 13"
- OVERALL LENGTH 12 3/4"
- OVERALL HEIGHT 9 3/8"
- PUSH LOW PROFILE
- EYE MANUAL TROLLEY
- FITS FLANGE RANGE OF 3" TO 8 5/8"
- UNIFORM CAPACITY: 6000 LBS
- TROLLEY WIDTH IS ADJUSTABLE BY ROTATING CENTER ROD

NOTE: USE ON "S" TYPE BEAM ONLY

SPECIAL FEATURES

NONE

APPROVAL	I, THE UNDERSIGNED, AGREE THAT THE PRODUCT AS REPRESENTED SATISFIES DESIGN AND DIMENSION REQUIREMENTS. I ALSO ACKNOWLEDGE MY DUTY TO CONFIRM PRODUCT AND INSTALLATION COMPLIANCE WITH ALL APPLICABLE FEDERAL, STATE AND LOCAL REGULATIONS AND STANDARDS.	
	ALL SPECIAL UNITS ARE NON-RETURNABLE <input type="checkbox"/> As drawn <input type="checkbox"/> As marked	
	Signed: _____	Date: _____
LEAD TIME WILL START UPON RECEIPT OF SIGNED APPROVAL DRAWING		

DISTRIBUTOR'S NAME:		P.O.#
VESTIL MANUFACTURING		X
DRAWN BY: WHR		W.O.#
DATE: 5/30/12		X
REFERENCE: X	SCALE: 1:7	SALES: X
QUOTED LEAD TIME: X	QUOTE # X	FILE NAME:
		30-007-257