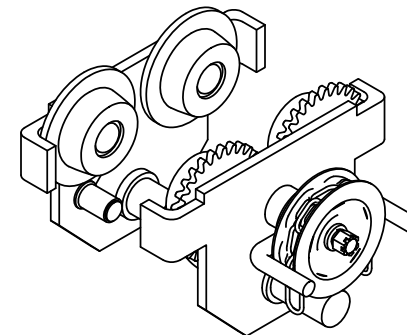
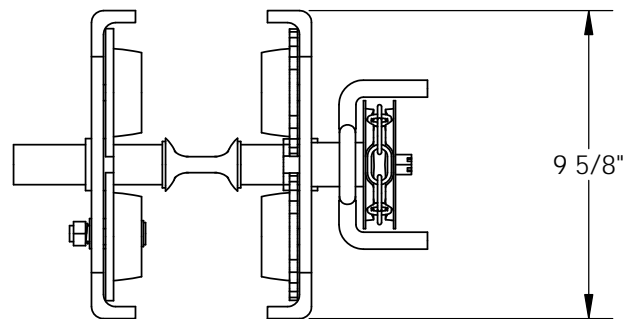


# MODEL NAME - E-MT-2-C

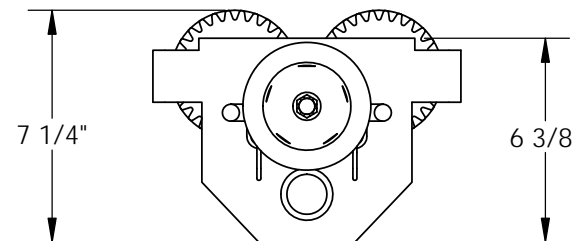
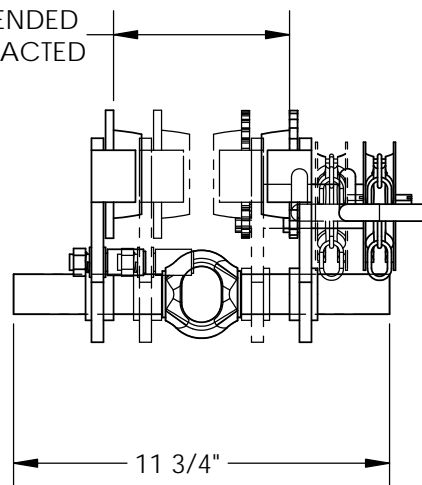
APPROX WEIGHT: 25.59 lbs.  
 DOES NOT INCLUDE WEIGHT OF POWER OR PACKAGING!!!

\*\*\* ANY ADDITIONS, DELETIONS, OR OMISSIONS MUST BE CORRECTED ON THIS DRAWING AS THIS DRAWING WILL BE CONSIDERED ALL INCLUSIVE \*\*\*

ALL GRAPHICS PROVIDED ARE FOR REFERENCE ONLY. IF CERTAIN DIMENSIONS ARE CRITICAL PLEASE VERIFY THOSE DIMENSIONS WITH YOUR SALESPERSON



5 1/2" EXTENDED  
 2 1/2" RETRACTED



DIMENSION TOLERANCE ± 1/4"

## STANDARD FEATURES

MODEL NUMBER IS E-MT-2-C  
 EYE MANUAL TROLLEY  
 GEARED LOW PROFILE  
 OVERALL WIDTH IS 9 5/8"  
 OVERALL LENGTH IS 11 3/4"  
 OVERALL HEIGHT IS 7 1/4"  
 MAX CAPACITY IS 2,000 LBS  
 FITS BEAM FLANGE OF 2 1/2" TO 5 1/2"  
 TROLLEY WIDTH IS ADJUSTED  
 BY ROTATING CENTER ROD

NOTE: USE ON "S" TYPE BEAM ONLY

## SPECIAL FEATURES

NONE

<b>A P P R O V A L</b>	I, THE UNDERSIGNED, AGREE THAT THE PRODUCT AS REPRESENTED SATISFIES DESIGN AND DIMENSION REQUIREMENTS. I ALSO ACKNOWLEDGE MY DUTY TO CONFIRM PRODUCT AND INSTALLATION COMPLIANCE WITH ALL APPLICABLE FEDERAL, STATE AND LOCAL REGULATIONS AND STANDARDS.	
	<b>ALL SPECIAL UNITS ARE NON-RETURNABLE</b> <input type="checkbox"/> As drawn <input type="checkbox"/> As marked	
Signed: _____		Date: _____
LEAD TIME WILL START UPON RECEIPT OF SIGNED APPROVAL DRAWING		

DISTRIBUTOR'S NAME:		P.O.#
VESTIL MANUFACTURING		X
DRAWN BY: WHR		DATE: 6/1/12
REFERENCE: X		SALES: X
QUOTED LEAD TIME: X		SCALE: 1:6
QUOTE # X		FILE NAME: 30-007-259